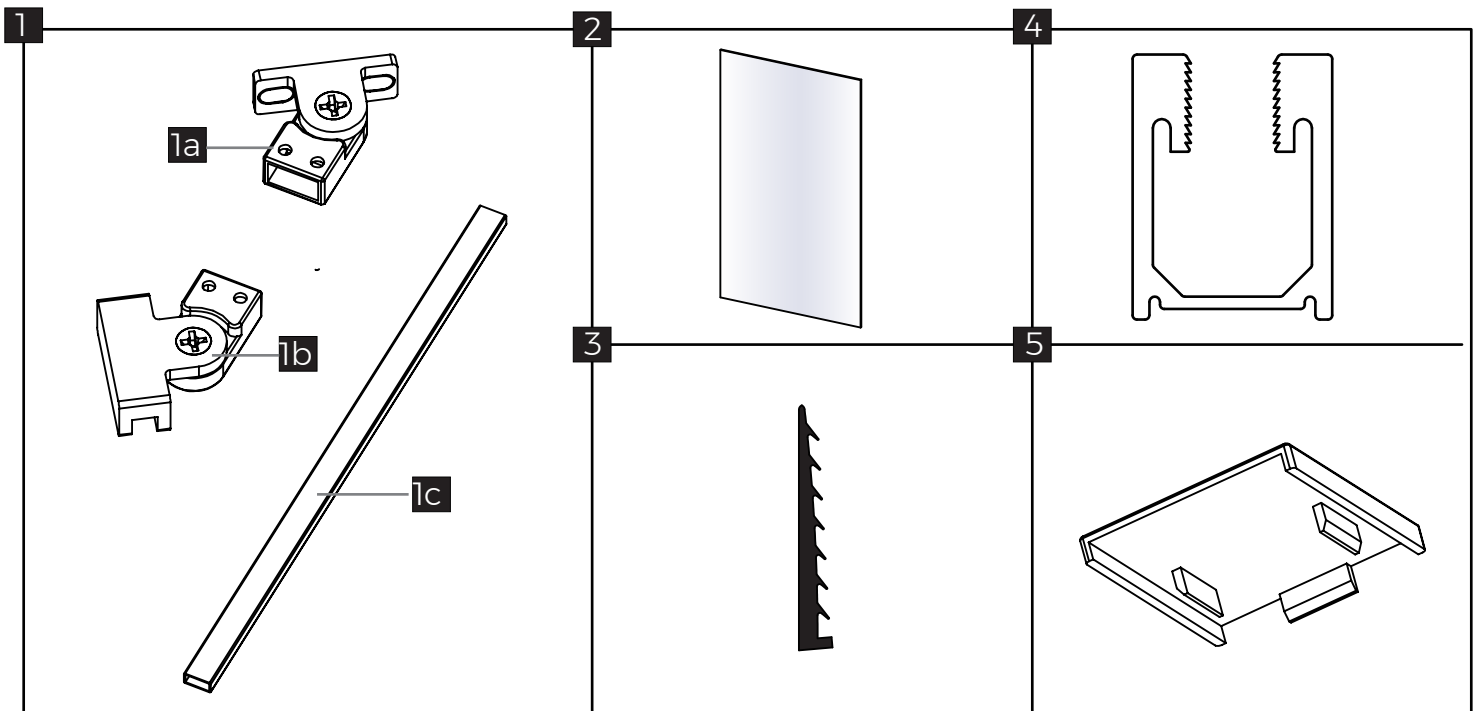
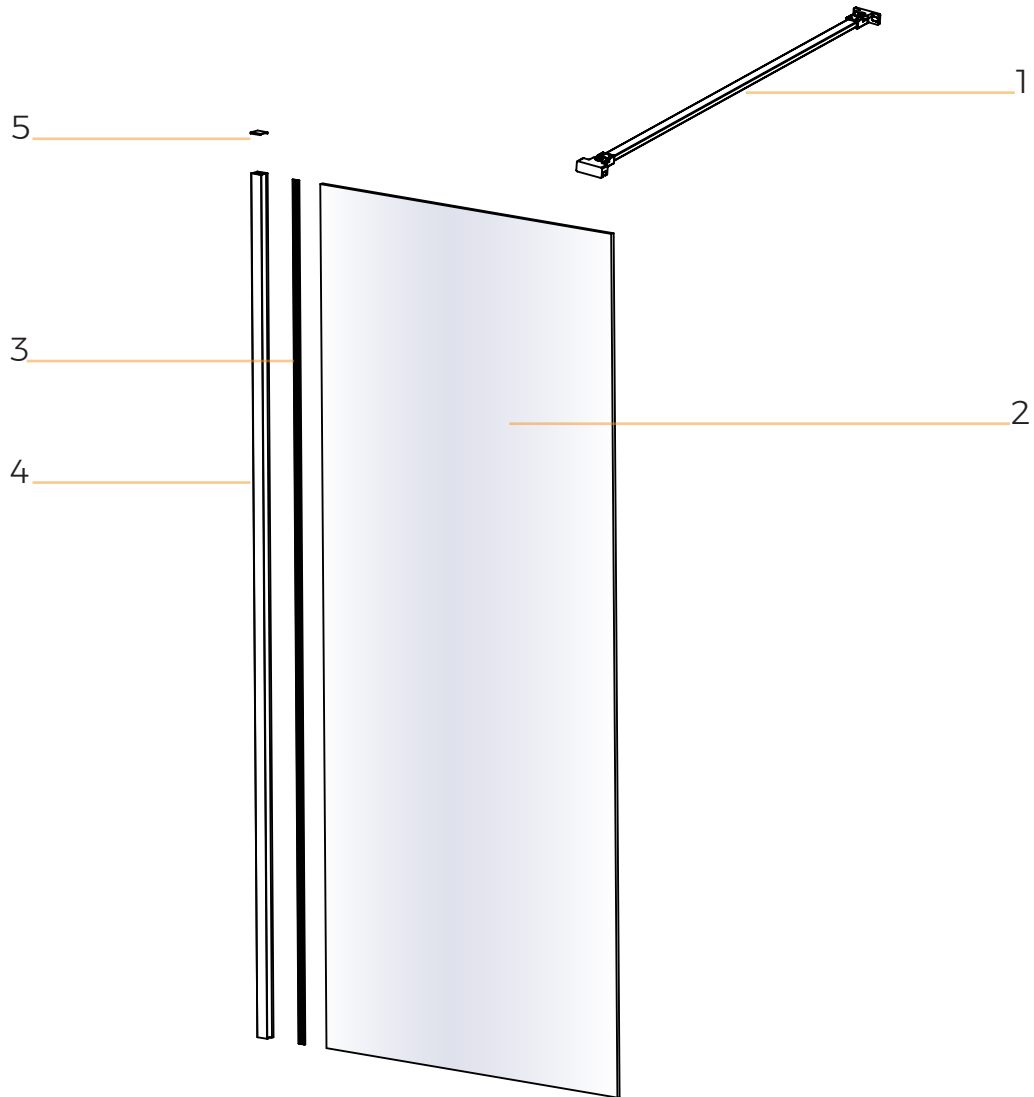
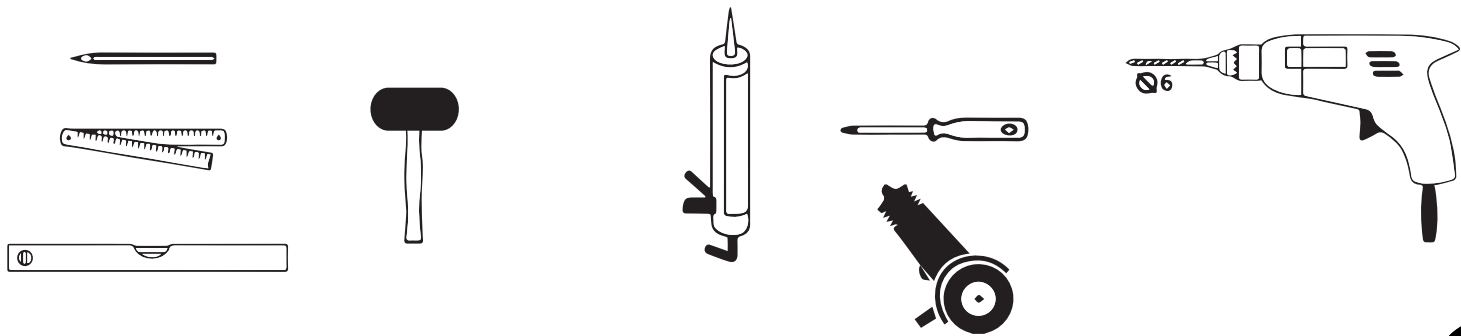
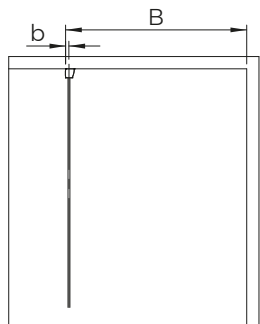
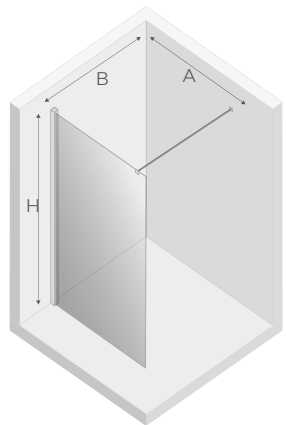


LATTICE



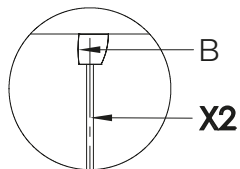


1



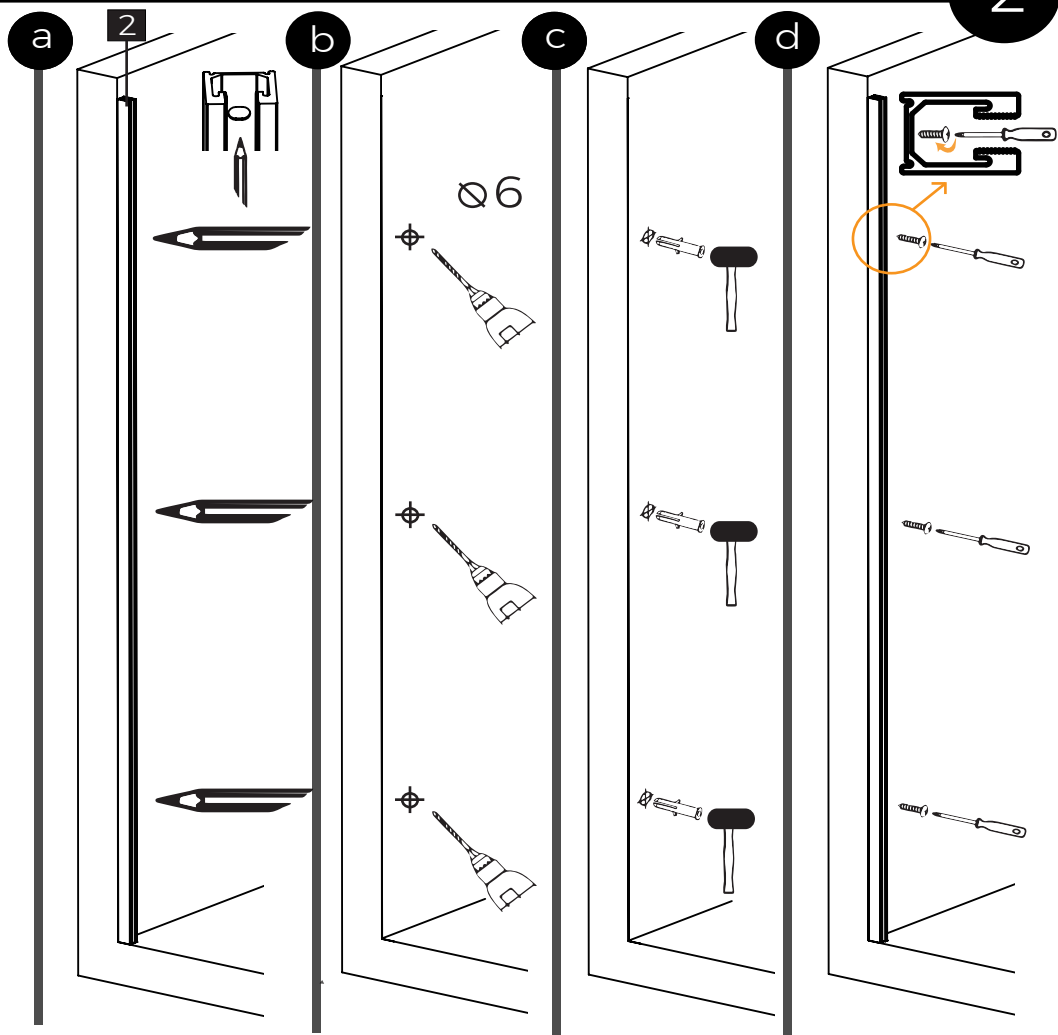
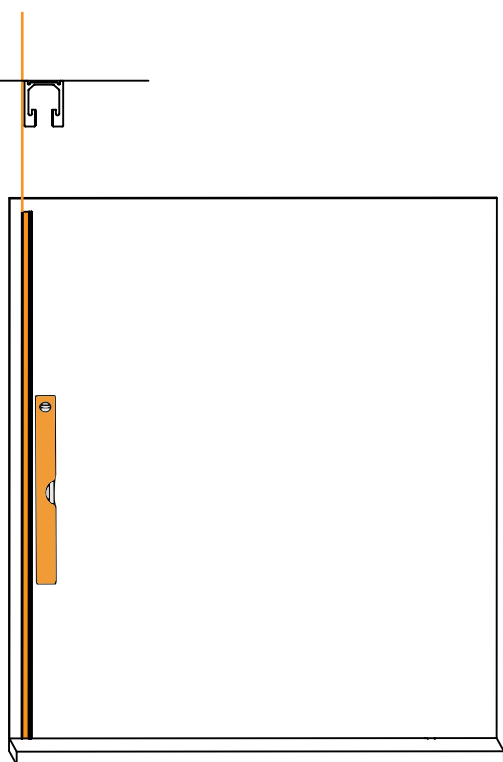
$b=1,1\text{cm}$

$X2=B-b$

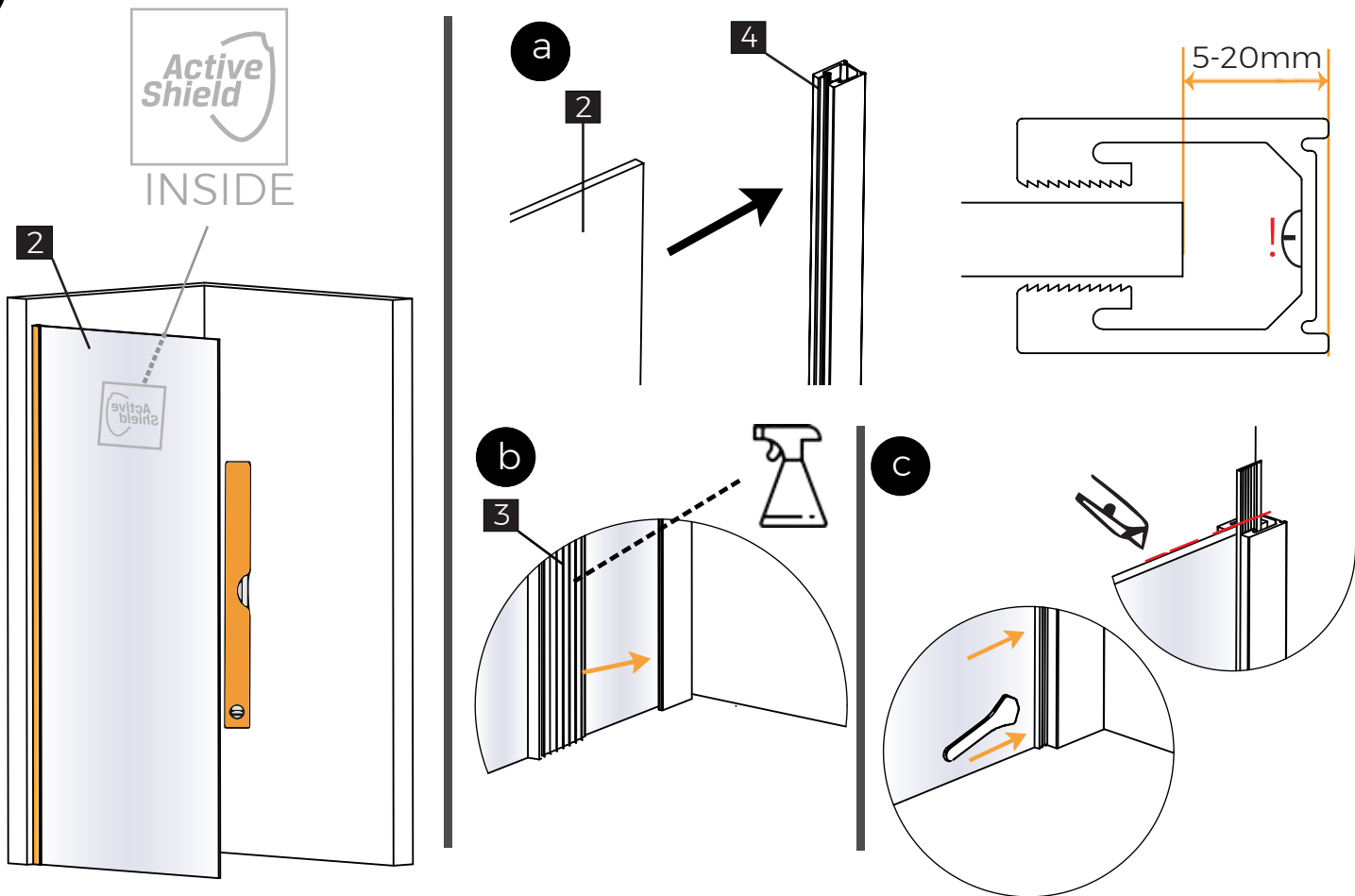


		A	B	H
EXK-0056	70x200	67,5-69	max 120	200
EXK-0057	80x200	77,5-79	max 120	200
EXK-0058	90x200	87,5-89	max 120	200
EXK-0059	100x200	97,5-99	max 120	200
EXK-0060	110x200	107,5-109	max 120	200
EXK-0061	120x200	117,5-119	max 120	200
EXK-0062	130x200	127,5-129	max 120	200
EXK-0063	140x200	137,5-139	max 120	200

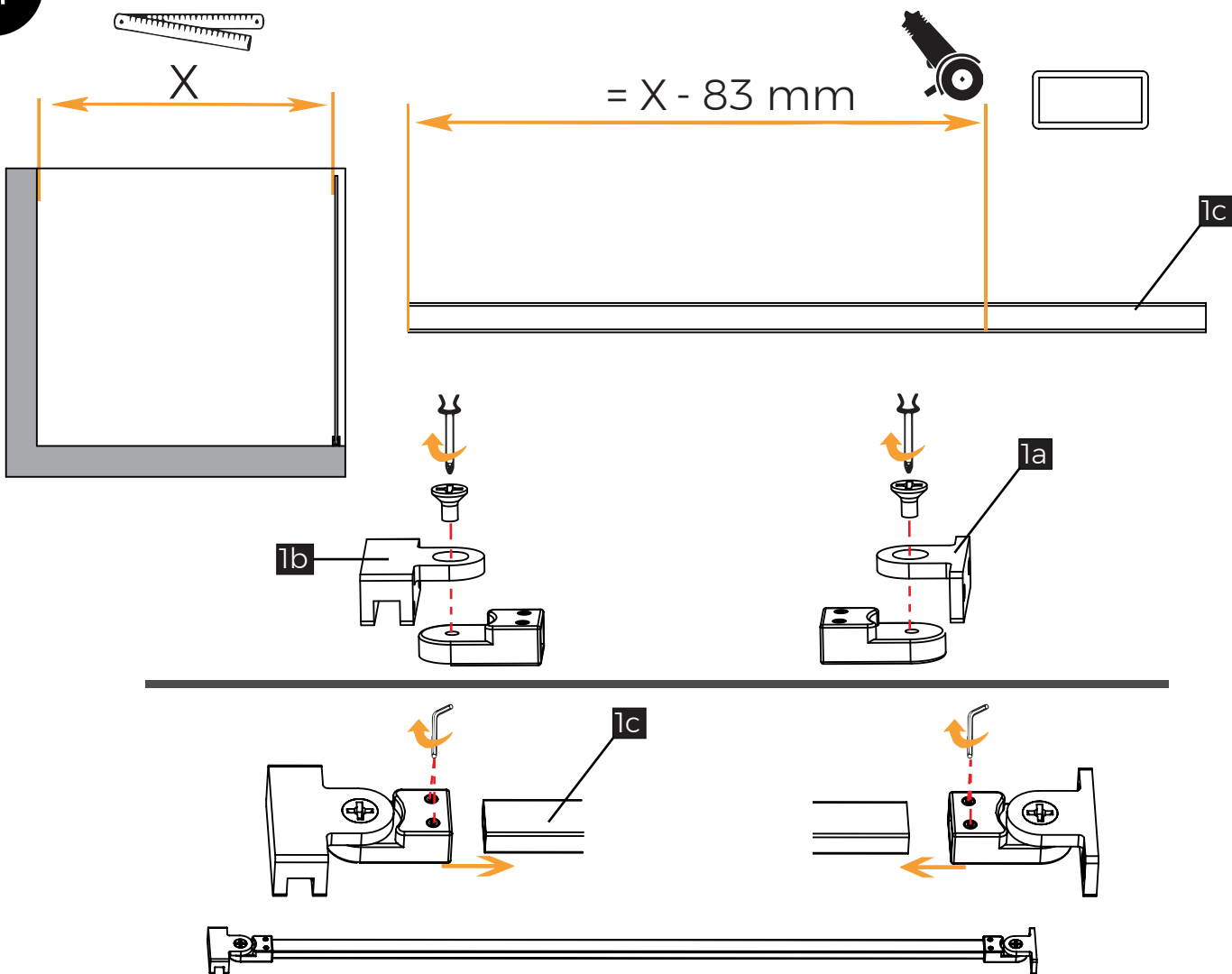
2

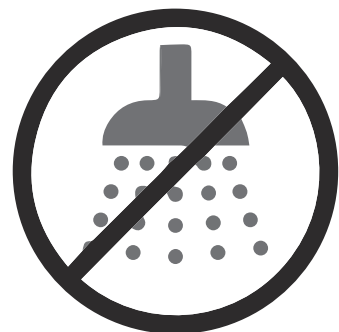
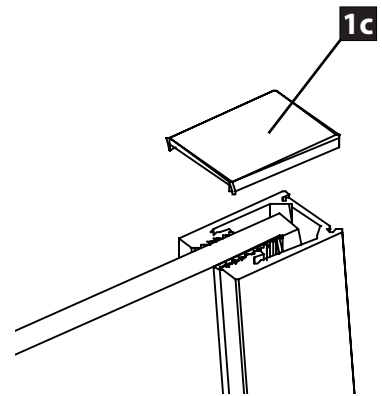
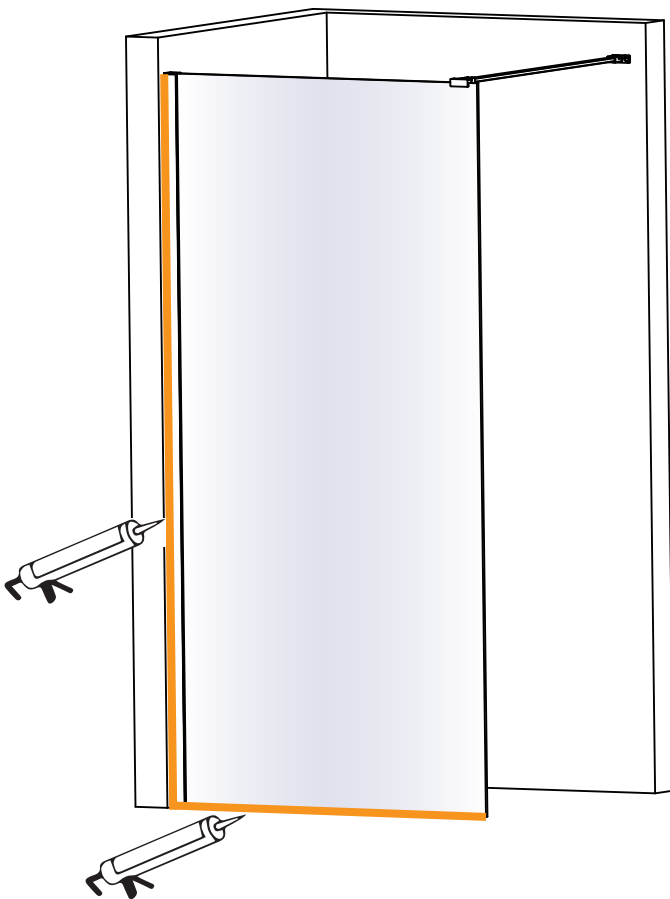
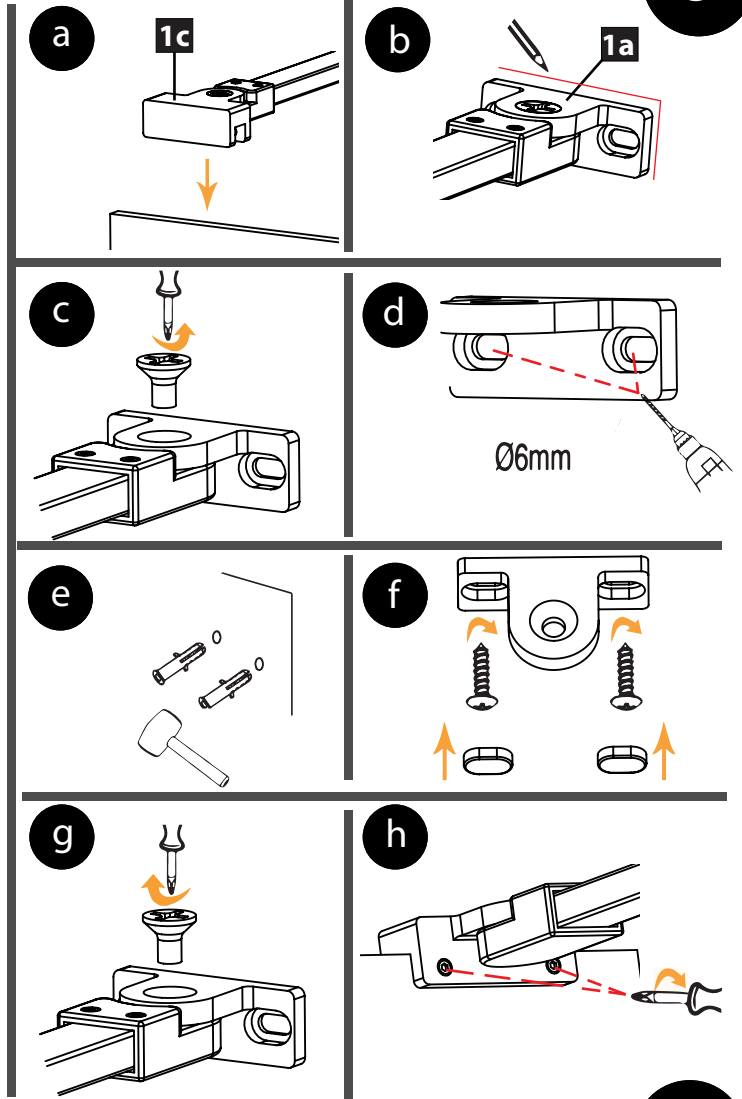
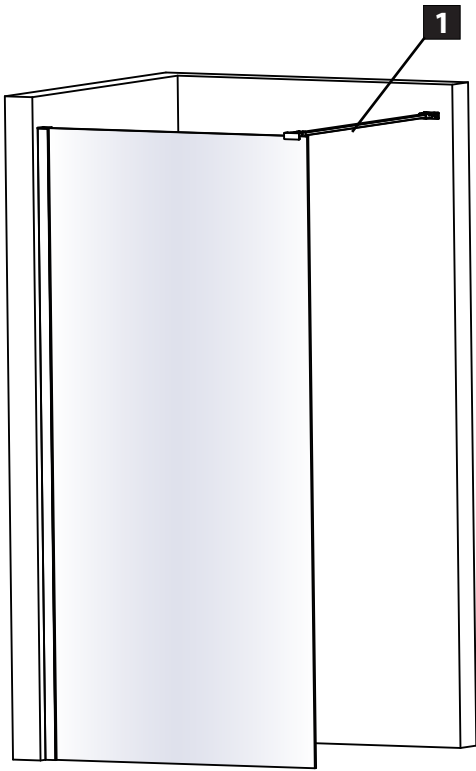


3



4





24H